



# RHINO-RACK

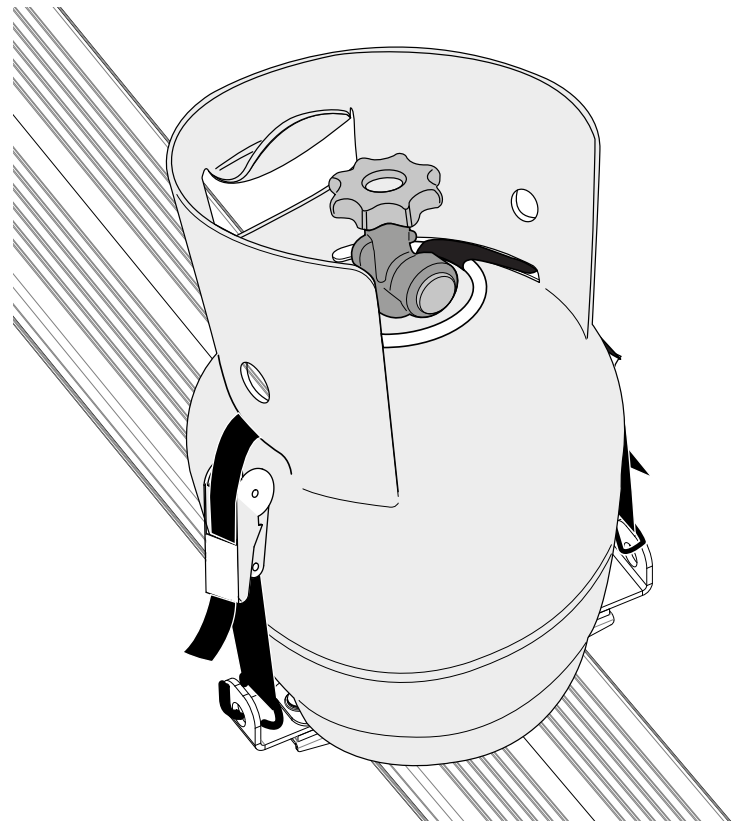
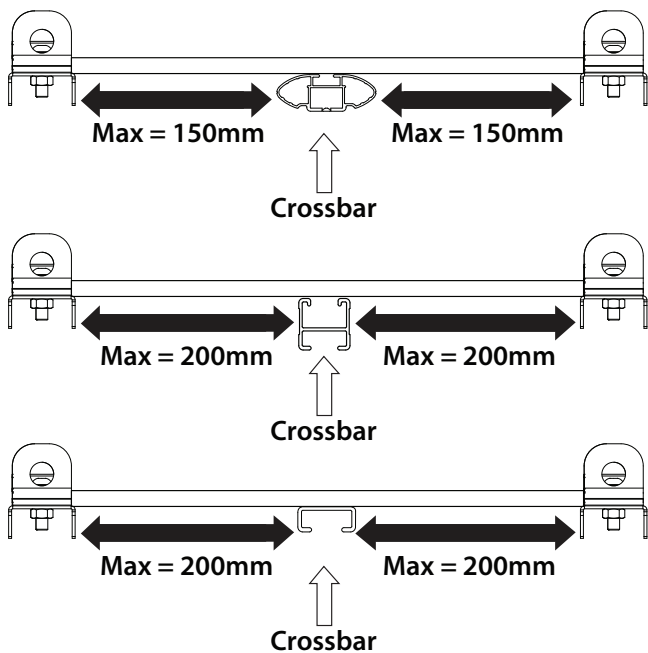
## RGBH4 - Rhino Gas Bottle Holder

**Important:** Please read these instructions carefully prior to installation. Please refer to your fitting instruction to ensure that the bike rack is installed in the correct locations. Check the contents of kit before commencing fitment and report any discrepancies. Place these instructions in the vehicle's glove box after installation is complete.

**Layout**

**To suit Rhino Alloy Trays and Rhino Pioneer Racks**

**Note:** Ensure that the holder is mounted as per diagram



### Important Information

**Recommendations:**

Use only non-stretch fastening ropes or straps. Do not overload your Rhino-Rack Alloy Tray and roof bars. Check your vehicle's roof carrying capacity. Exercise caution when driving offroad as vehicle roof height has been increased.

**Load Rating:**

To be used with 4.0kg gas cylinders. Do not use on cylinders greater than 4.0kg.

**Caution:**

The handling characteristics of the vehicle change when you transport a load on the roof. For safety reasons, we recommend exercising extreme care when transporting large wind-resisting loads; special consideration must be taken into account when negotiating corners and under braking.

**Note for Dealers and Fitters:**

It is your responsibility to ensure instructions are given to the end user or client.

Rhino-Rack  
3 Pike Street, Rydalmere,  
NSW 2116, Australia.  
(Ph) (02) 9638 4744  
(Fax) (02) 9638 4822

Document No: RR184  
Prepared By: Will Davis  
Authorised By: Chris Murty

Issue No: 03  
Issue Date: 13/03/2012

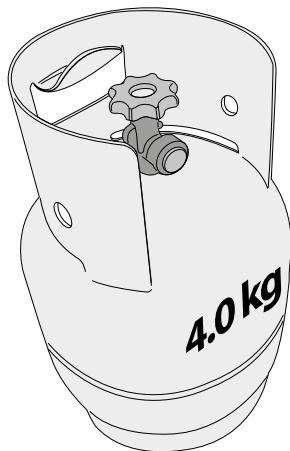
These instructions remain the property of Rhino-Rack Australia Pty. Ltd. and may not be used or changed for any other purpose than intended.



# RGBH4 - Rhino Gas Bottle Holder

## Parts List

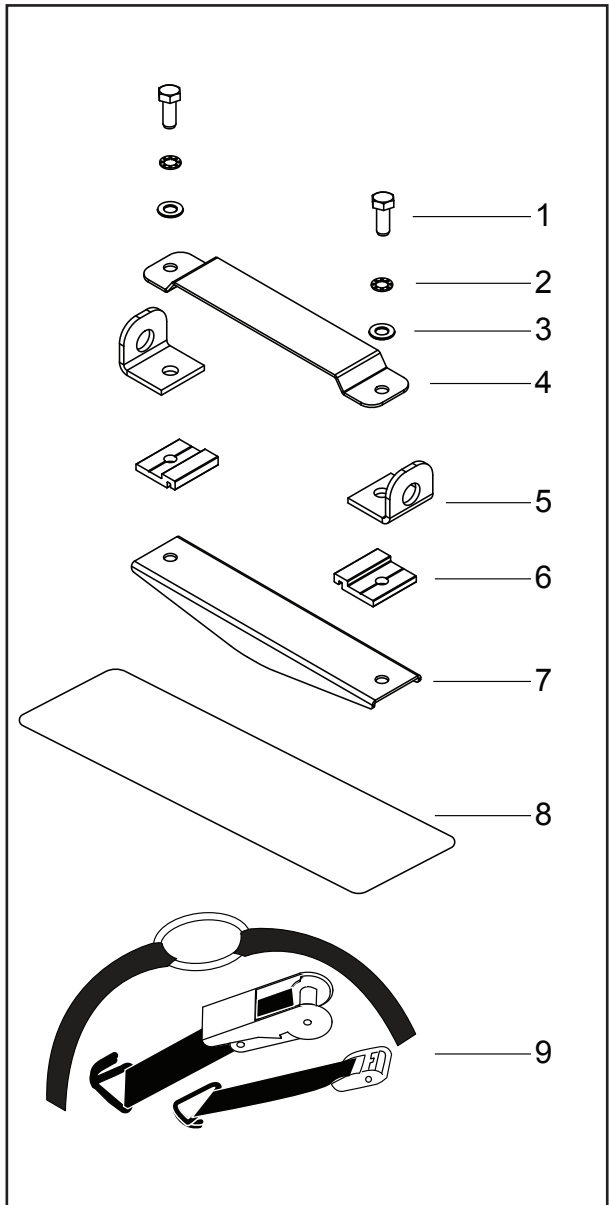
Item	Component Name	Qty	Part No
1	M8 X 25mm Hex Bolt	2	B101
2	M8 Internal Shakeproof Washer	2	W033
3	M8 x 21mm Heavy Steel Washer	2	W036
4	Gas Bottle Holder Top	1	C599
5	Eye Hole Bracket	2	C663
6	M8 Locking Tab	2	A104
7	Gas Bottle Holder Bottom	1	C598
8	60mm x 250mm Bumpon Strips	2	Z012
9	Gas Bottle Holder Strap Kit	1	CA1159
10	Fitting Instructions	1	RR184



**4.0 KG Gas Bottle  
Maximum**

*\*Gas cylinder not included*

**Tools Required:** 13mm Spanner



Do not transport gas in an unapproved cylinder. Gas bottles must be stored in an upright position. Do not transport with regulators attached. Must not be used for lifting. Always inspect prior to use. Protect from friction and abrasion. Do not tie knots in webbing. Do not use strap if it is damaged.

**Warning:**

It is important that all roof racks and accessories are installed and attached correctly. Failure to follow the correct attachments could result in an accident, serious injury or death to others. The driver of the vehicle is responsible for securing the roof racks and accessories, checking the attachments, periodically checking bolt torque and visual inspection of all components for wear and damage. Do not attempt to fit the roof rack system or accessory to your vehicle unless you fully understand these fitting instructions. Please direct any questions regarding fitting to the dealer or retailer from where they were purchased.

**Use only non-stretch fastening ropes or straps.**



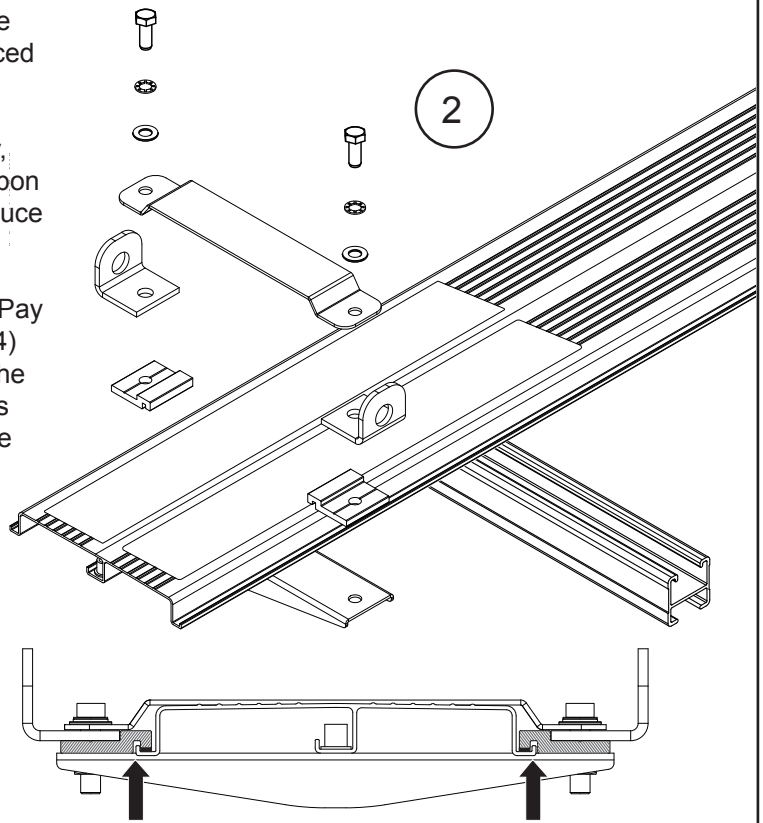
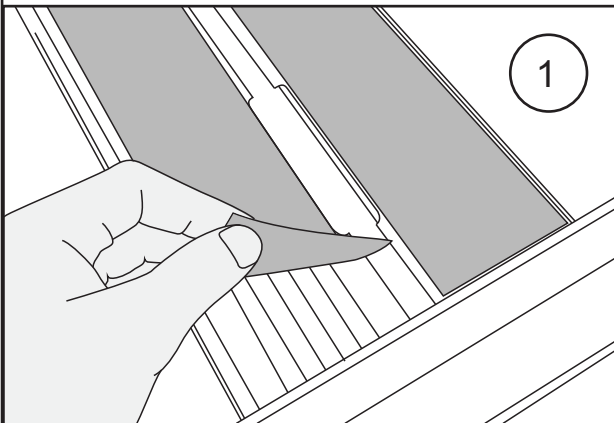
# RGBH4 - Rhino Gas Bottle Holder

## Fitting Instructions

**1** Decide where you would like the gas bottle to be located on the alloy tray. The holder will be placed across the width of one plank on the alloy tray.

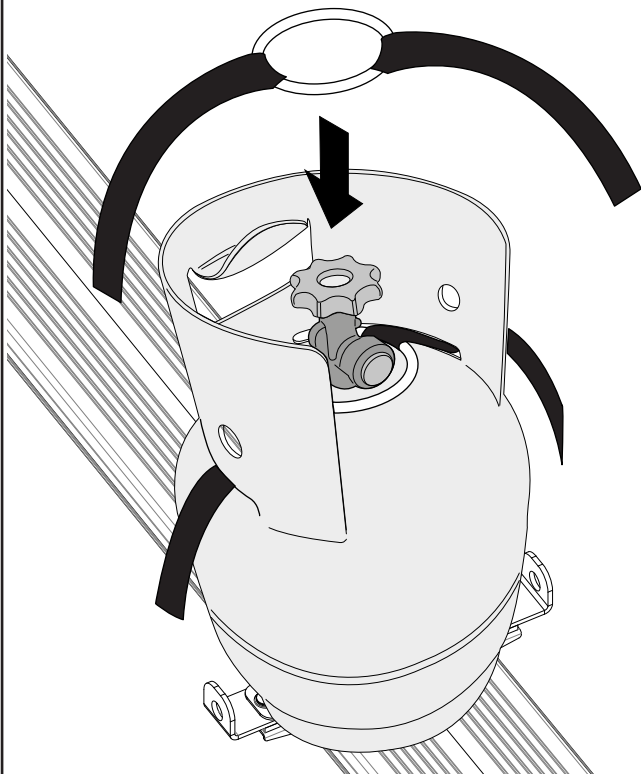
1 - Stick the Bumpon strips parallel with the tray, making sure not to cover the channel. The bumpon strips will protect the tray from wear and will reduce movement of the gas bottle

2. Assemble the holder on the plank as shown. Pay extra attention to the way the locking tabs (A104) sit on the plank extrusion. (see below). Centre the holder over the Bumpon Strips. Tighten the bolts when you are satisfied with the positioning of the holder.

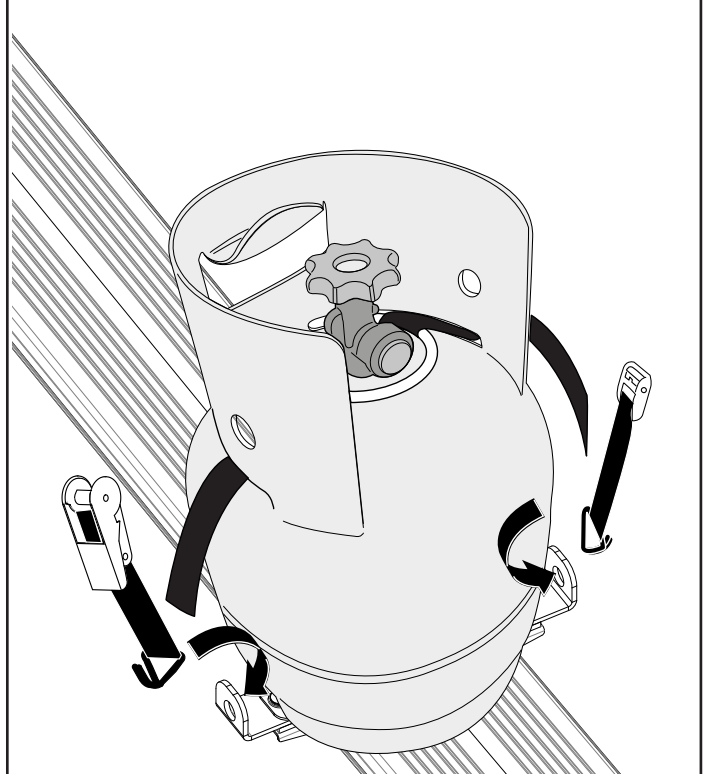


Locking tab must engage on the lip of the alloy plank

**2** Place the gas bottle on top of the assembly. Place the webbing strap as shown over the neck of the gas bottle.



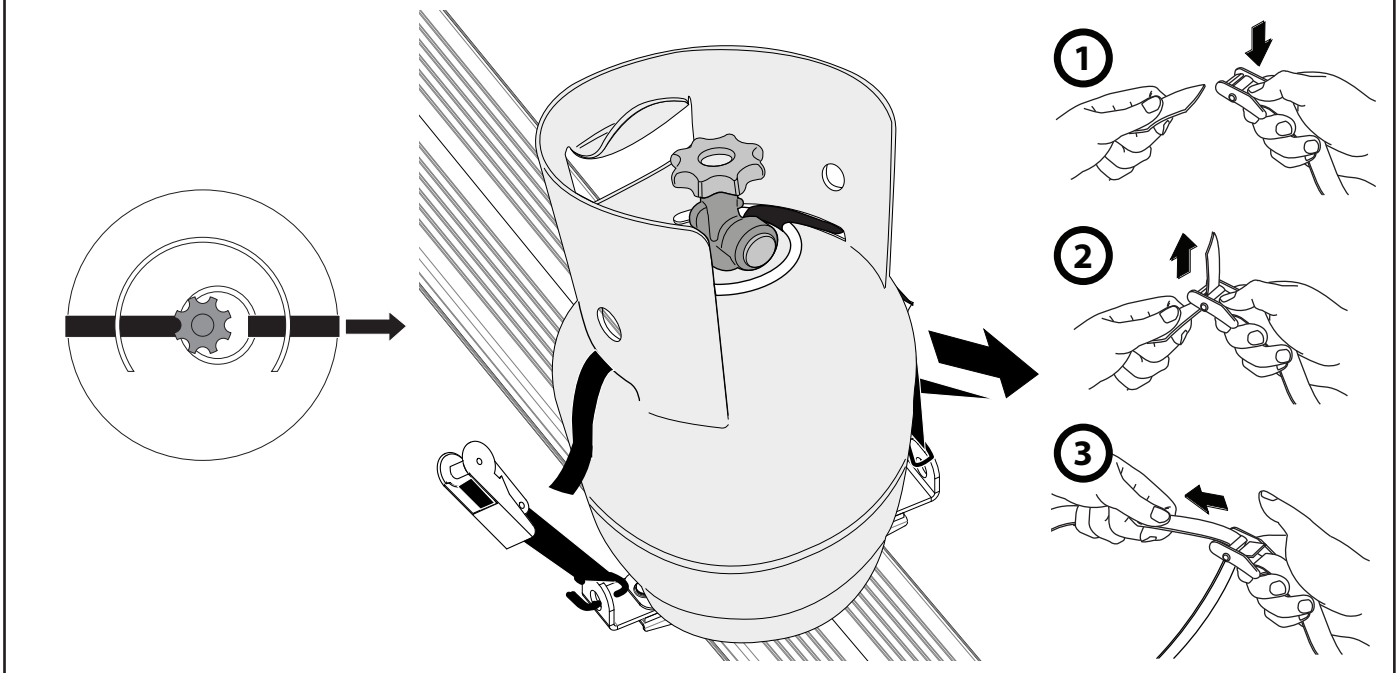
**3** Place the metal hook from each strap through the eye hole brackets.



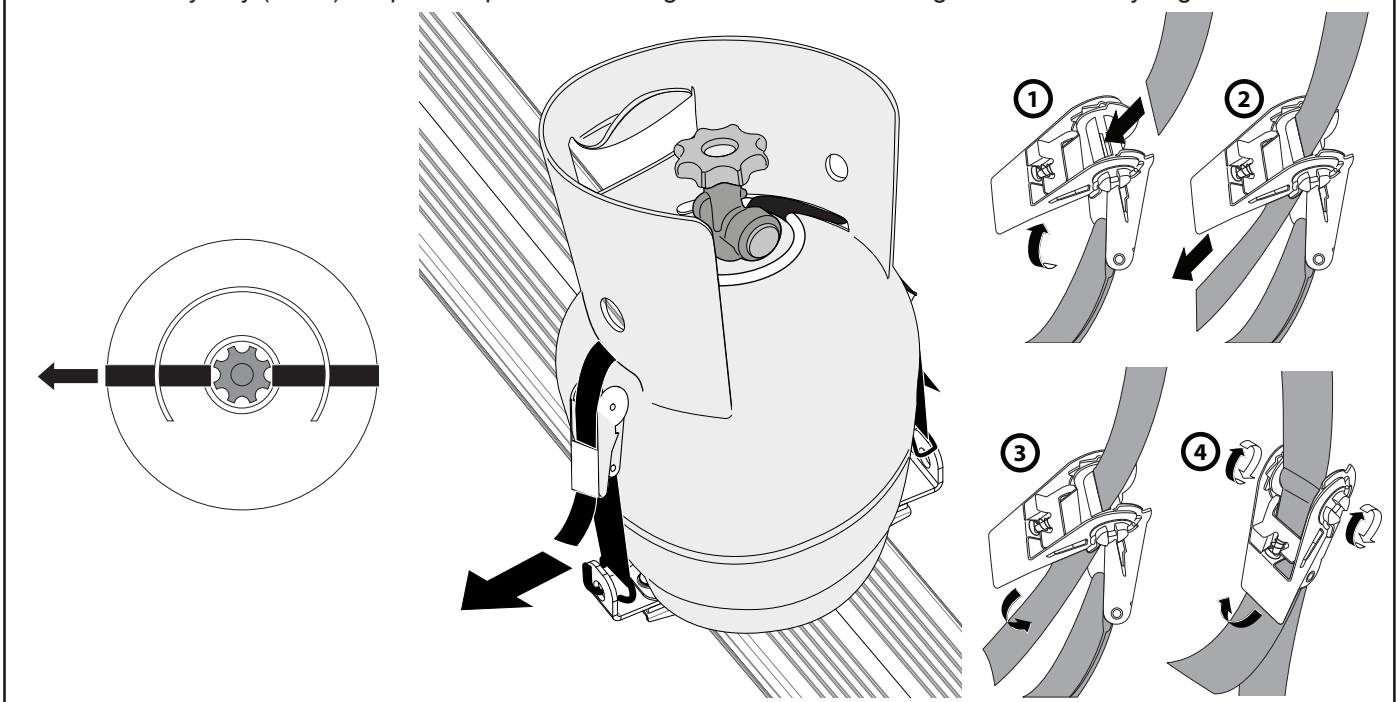


## RGBH4 - Rhino Gas Bottle Holder

- 4** Insert strap into cam buckle. Pull until the ring is skewed to one side as shown.



- 5** Insert strap into ratchet as shown (1). Pull strap tightly (2). Tighten the ratchet lever till the gas bottle is secured to the alloy tray (3 & 4). Repeat steps 3 and 4 till tight. Ensure that the ring is concentrically aligned as shown.



- 6** To undo the straps, first undo the ratchet lever as shown. Then undo the cam buckle as shown in step 4 in reverse.

